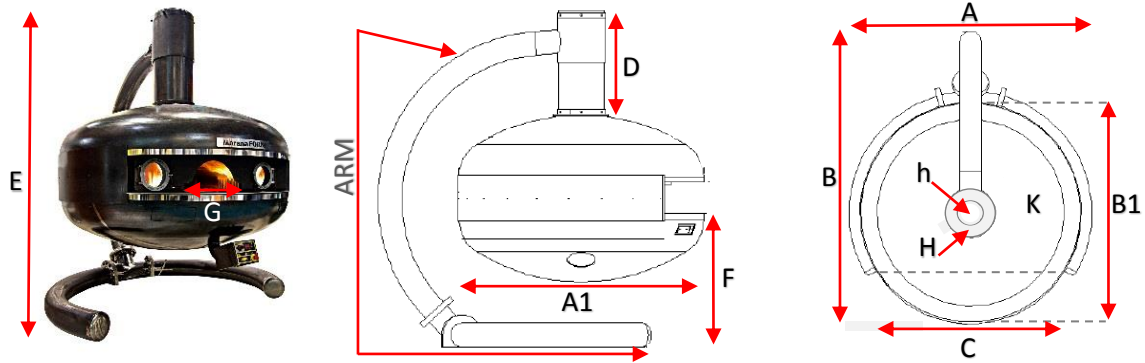


GEA ROTATING OVEN



A/A1 Oven Width	B/B1 Oven Depth	C Frontal Width	D Height of the Tube 406
E Oven Height	F Height from the Door - cm120	G Oven Door Width	H/h Exhaust Diameter

MODEL	H	h	A	A1	B	B1	C	D	E	G	K – PIZZAS CAPACITY		PESO KG
GEA With Arm	ø40	ø20	230	-	274	-	146	95	296	59	Ø29 cm x5	Ø33 cm x4	3200
GEA No Arm	ø40	ø20	-	220	-	220	146	95*	-	59	Ø29 cm x5	Ø33 cm x4	2600

Measures in CM with variation +/- 2%. (*) Variable measure on request.

Electrical Characteristics

VOLT	HERTZ	MOTORS POWER	
220/230 – SINGLE PHASE	50/60	ROTO = 0,13 kW	ROTO SU&GIU = 0,46 kW

Gas Plant Characteristics

kW	GAS PRESSURE REQUIRED		Ø GAS BURNER ATTACK
34,89	NATURAL - 20 Mbar	LPG - 37 Mbar	½ INCH – MALE ATTACK

Hours Consumption of Fuels

MODEL	HEATING				COOKING			
	WOOD kg	NATURAL m³	LPG kg	kW	WOOD kg	NATURAL m³	LPG kg	kW
GEA	5,4	2,1	1,5	20,0	2,2	0,8	0,6	8,0
QUANTITY OF AIR FOR THE COMBUSTION PER KW					WOOD = 4 m³		GAS = 2 m³	

Certifications



see Official Listing

