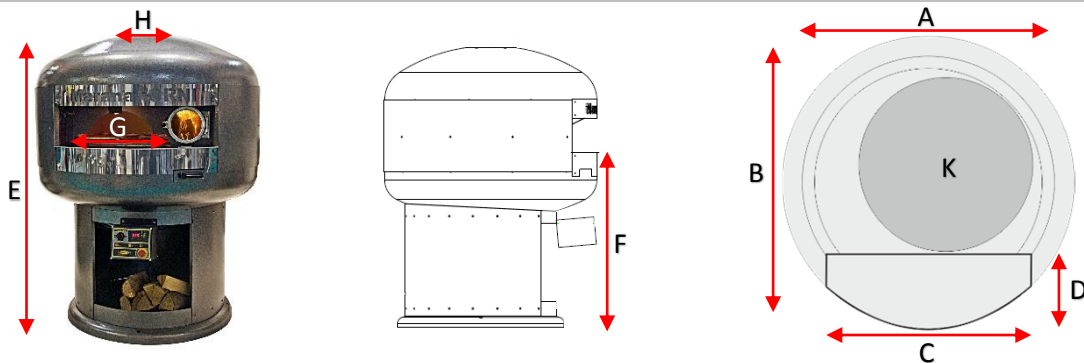


TROFEO ROTATING OVEN



A Oven Width		B Oven Depth		C Frontal Width		D Frontal Depth		E Oven Height		F Height from the Door		G Oven Door Width		H Exhaust Diameter	
MODEL	H	A	B	C	D	E	F	G	K – PIZZAS CAPACITY		WEIGHT KG				
TROFEO 85	ø20	142	140	85	33	184	115	59	ø29 cm x5	ø33 cm x4	800				

Measures in CM with variation +/- 2%. (*) Variable measure on request.

Electrical Characteristics

VOLT	HERTZ	MOTORS POWER
220/230 – SINGLE PHASE	50/60	ROTO = 0,13 kW

Gas Plant Characteristics

kW	GAS PRESSURE REQUIRED		Ø GAS BURNER ATTACK
34,89	NATURAL - 20 Mbar	LPG - 37 Mbar	½ INCH – MALE ATTACK

Hours Consumption of Fuels

MODEL	HEATING				COOKING			
	WOOD kg	NATURAL m³	LPG kg	kW	WOOD kg	NATURAL m³	LPG kg	kW
TROFEO 85	5,4	2,1	1,5	20,0	2,2	0,8	0,6	8,0
QUANTITY OF AIR FOR THE COMBUSTION PER KW					WOOD = 4 m³		GAS = 2 m³	

Certifications

